

Polarization Maintaining Filter Coupler (GK-PMFC Series)

● Description

The Polarization Maintaining Filter Coupler is manufactured by using advanced technology to allow the input signal to be splitted at various ratios with high extinction ratio. It supports both polarizations.

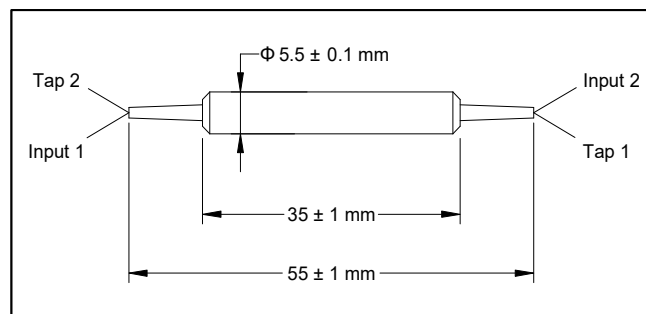
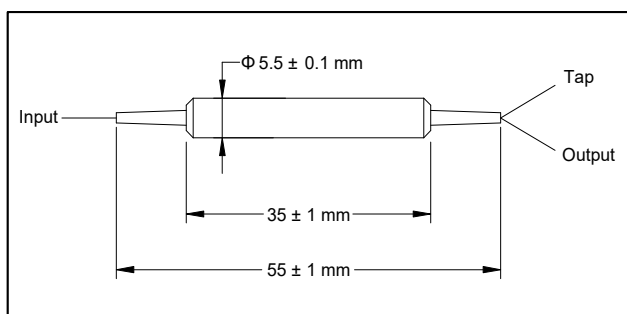
● Specifications

Parameter	Unit	Value
Center Wavelength	nm	1310, 1550
Operating Wavelength Range	nm	$\lambda_c \pm 40$
Configuration	-	1 × 2 2 × 2
Max. Excess Loss	dB	0.7 1.0
Max. Uniformity	dB	0.6 0.8
Tap Ratio	%	1 ± 0.5, 5 ± 1.0, 10 ± 2.0, and 50
Min. Return Loss	dB	50 50
Min. Extinction Ratio	dB	20 18
Max. Optical Power (Continuous Wave)	mW	300
Max. Tensile Load	N	5
Operating Temperature	°C	-5 to +70
Storage Temperature	°C	-40 to +85
Fiber Type	-	SMF-28 or PM Panda Fiber for tap port PM Panda Fiber for Input & Output ports

¹IL is 0.3 dB higher, RL is 5 dB lower, and ER is 2 dB lower for each connector added.

Connector key is aligned to slow axis.

● Package Dimensions



● Ordering Information

GK-PMFC-①-②-③-④-⑤-⑥-⑦-⑧

①: Configuration

1 - 1 × 2
2 - 2 × 2

②: Wavelength

31 - 1310 nm
55 - 1550 nm
SS - Specify

③: Coupling Ratio

01 - 1/99
05 - 5/95
10 - 10/90
50 - 50/50
SS - Specify

④: Connector Type

1 - FC/UPC
2 - FC/APC
3 - SC/UPC
4 - SC/APC
N - None
S - Specify

⑤: Fiber Jacket

B - 250 μm Bare Fiber
L - 900 μm Loose
S - Specify

⑥: Fiber Type for Tap Port

M - SMF-28 Fiber
P - Panda Fiber
S - Specify

⑦: Fiber Length

Q - 0.75 m
S - Specify

⑧: Working Axis

B - Both Axis Working