



# Polarization Maintaining Filter Wavelength Division Multiplexer (GK-PMFWDM Series)

## ● Description

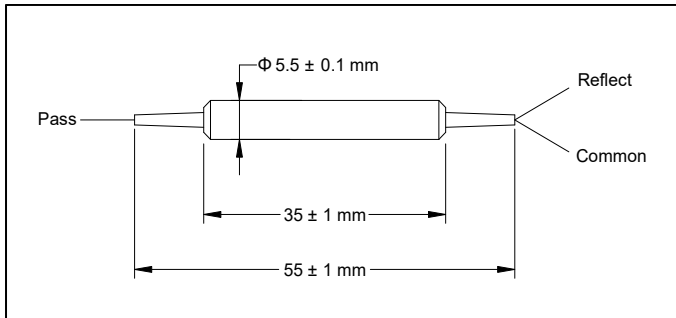
The PM FWDM series provides wavelength division multiplexing while maintaining signal polarization. The components are based on environmentally stable thin-film filter technology and are characterized with high extinction ratio, low insertion loss, and high return loss. They are ideal for high speed WDM network systems.

## ● Specifications

Parameter		Unit	Value
Pass Band	Wavelength Range	nm	1530 - 1580
	Max. Insertion Loss	dB	0.8
	Max. Insertion Loss	dB	1.0
	Typ. Isolation	dB	30
	Min. Isolation	dB	25
Reflection Band	Wavelength Range	nm	980 ± 20
	Typ. Insertion Loss	dB	0.4
	Max. Insertion Loss	dB	0.6
	Typ. Isolation	dB	15
	Min. Isolation	dB	12
Min. Extinction Ratio		dB	20
Min. Return Loss		dB	20
Thermal Stability		dB/°C	0.05
Fiber Type		-	PM 1550 Panda Fiber for Pass Port 980 Panda PM Fiber for Reflect and Common Ports
Max. Optical Power (Continuous Wave)		mW	300
Max. Tensile Load		N	5
Operating Temperature		°C	- 5 to + 70
Storage Temperature		°C	- 40 to + 85

<sup>1</sup>IL is 0.3 dB higher, RL is 5 dB lower, and ER is 2 dB lower for each connector added. Connector key is aligned to slow axis.

## ● Package Dimensions



## ● Ordering Information

GK-PMFWDM-①-②-③-④

### ①: Wavelength

5598 - 1550 Pass/980 Reflect

### ②: Connector Type

1 - FC/UPC

2 - FC/APC

3 - SC/UPC

4 - SC/APC

N - None

S - Specify

### ③: Fiber Jacket

B - 250  $\mu$ m Bare Fiber

L - 900  $\mu$ m Loose Tube

S - Specify

### ④: Fiber Length

Q - 0.75 m

S - Specify