

Pulsed fiber amplifier module

Producer: X	Check: : ZXP	Approval: YYG
Sales Order Number:	P/N: RZ-M-Pul se-Dual -EDFA-1550nm-SMF28e-FA-1	DOCUMENT NO:

1. Document version :

Date	Ver	Author	Remarks
2024/04/18	V1.0	X	

PN: RZ-M-Pul se-Dual -EDFA-1550nm-SMF28e-FA-1
 Service stage: : NA

2. Special process requirements

NA

3. Abbreviation:

Abbreviation	Explain
EDFA	Erbium Doped Fiber Amplifier
ACC	Automatic current control
APC	Automatic power control

4. Working Environmental indicators:

Number	Parameters	Min	Typical	Max	Unit	Remarks
1.	Operating temperature	-5	-	55	°C	
2.	Storage temperature	-40	-	85	°C	
3.	Operating relative humidity	5	-	85	%	
4.	Storage relative humidity	5	-	95	%	

5. Optical Index: (The following are the parameters of the dual amplifier)

Number	Parameters	Min	Typical	Max	Unit	Remarks
1.	Wavelength	-	1550.12	-	nm	-
2.	Bandwidth	1549.92	-	1550.32	nm	C34@100G filtering
3.	Channels	-	1	-	-	-
4.	Input average optical power	-24	-19	-14	dBm	-
5.	Average optical power output	-10	-2.5	5	dBm	-
6.	ACC output power	-10	-	10	dBm	@ACCWorking mode
7.	ACC mode current control accuracy	-	0.5	-	mA	@ACCWorking mode
8.	APC output power	-10	-	10	dBm	@APCWorking mode
9.	Pulse width	100	-	300	ns	-
10.	Repetition rate	1k	-	2k	Hz	-
11.	noise	-	5.5	6	dB	@Gain>17dB
12.	Return loss	45	-	-	dB	-
13.	No light report	-60			dBm	-
14.	Output power stability	-	-	±0.1	dB	-
15.	Power reporting accuracy	-	-	±0.5	dB	-
16.	Output power control accuracy	-	-	±0.5	dB	-
17.	Input and output isolation	30	-	-	dB	-
18.	Polarization dependent gain	-	-	0.3	dB	-
19.	Polarization film dispersion	-	-	0.5	ps	-
20.	Input optical power alarm	-	-34	-	dBm	1、The default input does not alarm, and the pump is off 2、Range:-34~4dBm, Upward hysteresis 1dB, Prompt no power @ <-34dBm
21.	Output optical power alarm	-	-10	-	dBm	The default input does not alarm, and the pump is off 2、Range:-10~+16dBm, Upward hysteresis 1dB,

						Prompt no power @ <-11dBm
22.	Module low temperature alarm	-	-25	-	°C	The alarm shuts down the pump
23.	Module overtemperature alarm	-	65	-	°C	The alarm shuts down the pump
24.	Pump low temperature alarm	-	20	-	°C	The alarm shuts down the pump
25.	Pump high temperature alarm	-	30	-	°C	The alarm shuts down the pump
26.	Input and output optical fiber length	95	100	105	cm	Connector length included
27.	Input and output optical fibers Type	900um Loose White SMF-28e				
28.	Connectors Type	FC/APC				
29.	Working mode	ACC				
30.	port	Quantity 4: In1、In2、Out1、Out2				

6. Hardware Index:

6.1 Electrical Index:

NO	Parameters	Min	Typic al	Max	Remarks
1	Voltage	4.75V	5V	5.25V	
2	Power	-	-	15W	Heat dissipation is required when the power consumption is high

6.2 Hardware and communication interfaces:

NO	Parameters	Material specification	Quantity	Length
1	+5V	Silver-plated copper conductor\strands\2.0 square\red	2	50±5cm (Including connectors)
2	GND	Silver-plated copper conductor\strands\2.0 square\black	2	50±5cm (Including connectors)
3	RS232	Silver plated triple stranded high temperature	1	50±5cm (Including connectors)

		wire AFS250 3*0.15 square		
--	--	---------------------------	--	--

6.3 Pin Connections:

NA

7. Software Index:

7.1 Software command

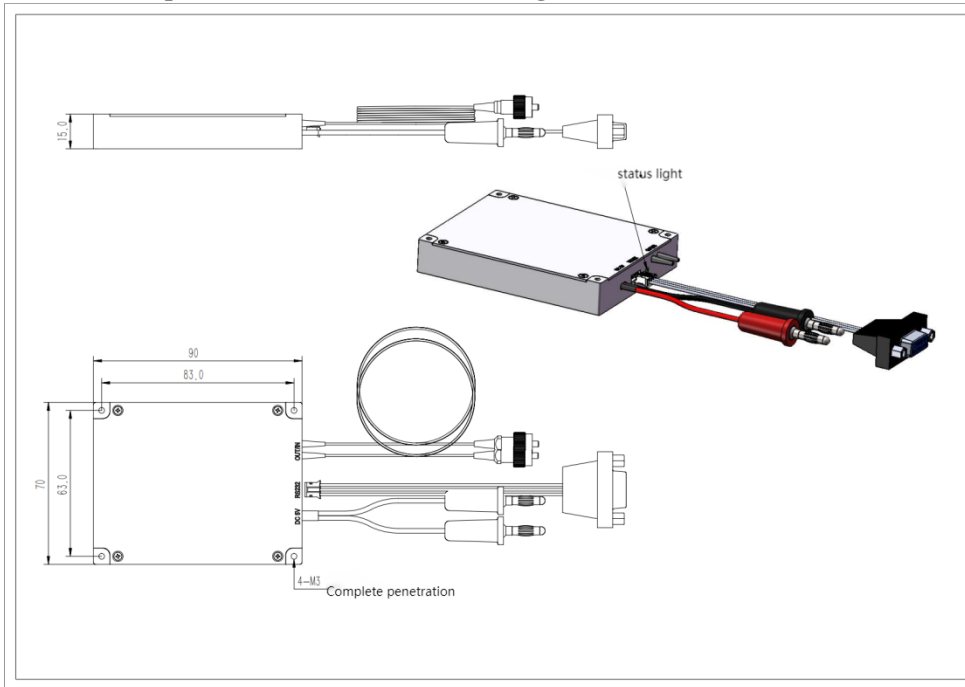
The software supports the functions of "Save power failure, load power on" and "Save Settings in ACC mode".

Provide computer software, detailed instructions and use see the user manual.

7.2 Serial communication protocol:

NO	Item	Value	Unit
1	Baud	9600	Bit/s
2	Data	8	Bit
3	Stop	1	Bit
4	Check	NA	

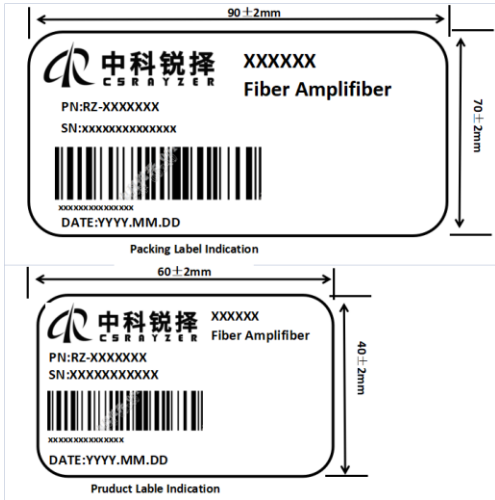
8. Dimension (The position tolerances are GB / T1184-K; the size tolerance $X \pm 0.15$. $X \pm 0.1$, $XX \pm 0.05$, with special tolerances are shown in Fig)



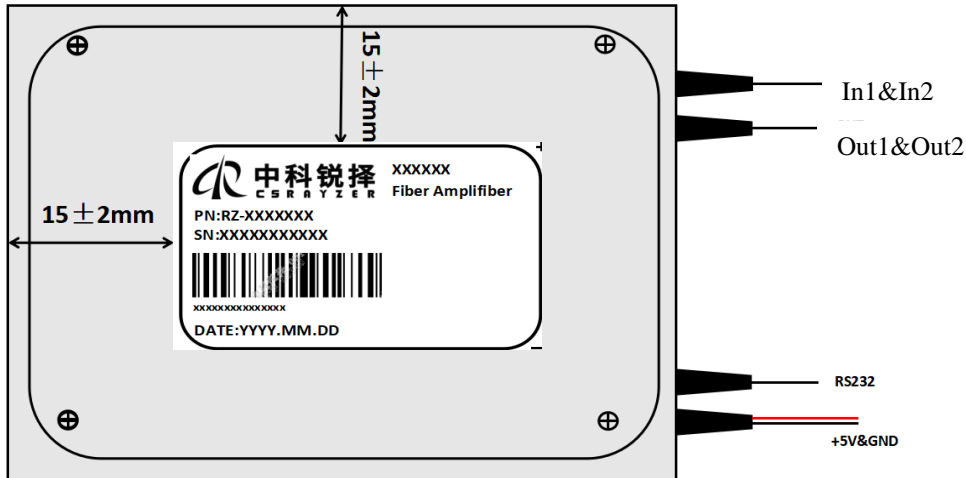
9. Order Information:
NA

10. Packing requirement:

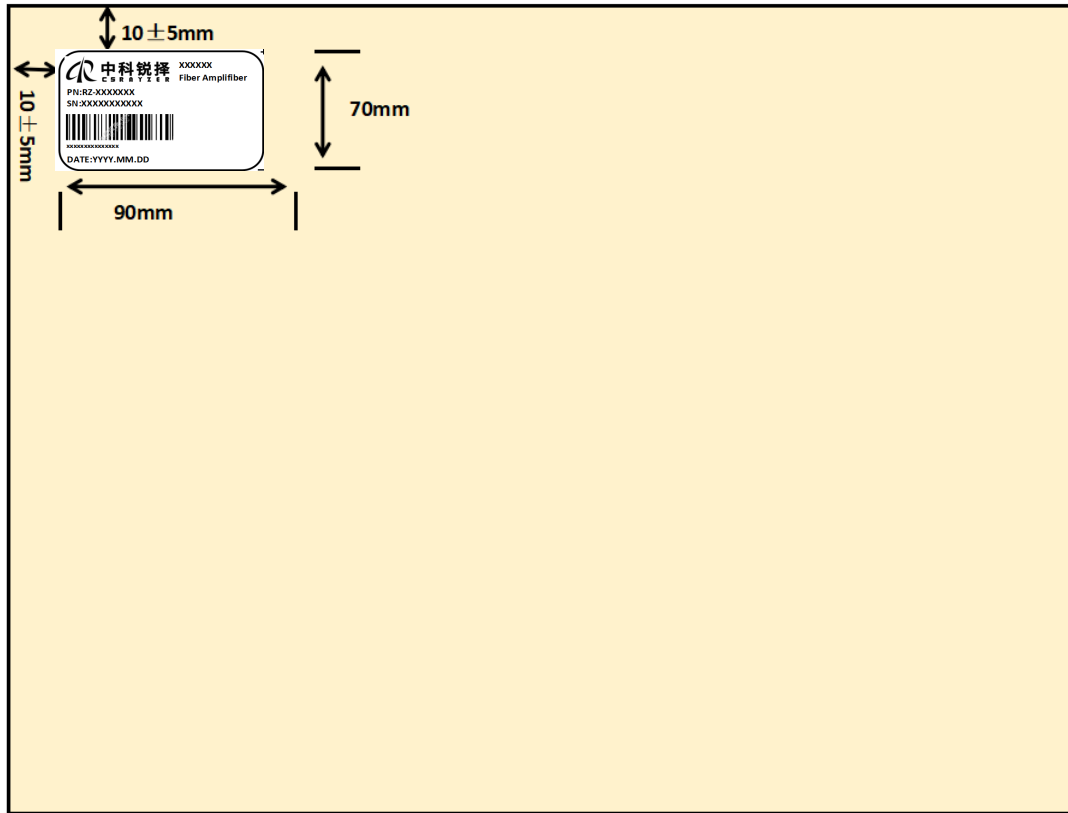
NO	Parameters	Material specification	Dimension	Quantity	Remarks
1	Packing Label	Thermal label paper	70*90mm	1	1、The label content depends on the actual situation 2、English sign must be used
2	Product Label	Asian Silver label paper	60*40mm	1	



Use Asian silver labels (60 x 40mm) to attach the labels in the middle to the upper cover of the module, as shown in the following figure.



Use heat-sensitive label paper (90*70mm) to attach the labels to the upper left corner of the packaging box, as shown in the figure.



11. Others:

NO	Parameters	Details	Quantity	Remarks
1	Packing Instruction	CSRAYZER	/	/
2	Product Text	English	/	/
3	Product accessories	Test Report	1	/
		Serial Adapter	1	/
		Optical Disc	1	/
		User's Manual	1	/

---END---