

## Versatile Topo-Bathymetric Airborne Laser Scanner with Online Waveform Processing and Full Waveform Recording

# RIEGL VQ<sup>®</sup>-840-GL

- **for combined topographic and bathymetric airborne and UAV-based survey**
- **high accuracy ranging based on echo digitization and online waveform processing with multiple-target capability**
- **concurrent comprehensive full waveform storage for all measurements for subsequent full waveform analysis**
- **high spatial resolution due to measurement rate of up to 200 kHz and high scanning speed of up to 100 scans/sec**
- **integrated inertial navigation system (optional)**
- **integrated digital camera (optional)**
- **compact, lightweight and robust housing compliant with typical hatches in aircrafts and with stabilized platforms**

The RIEGL<sup>®</sup> VQ-840-GL is a fully integrated, compact airborne laser scanner for combined topographic and bathymetric surveying. The proven form factor and the use of very lightweight material enable a reduced weight of less than 10kg (22lbs), making the VQ-840-GL suitable for integration into crewed aircraft and UAVs.

The scanner carries out laser range measurements for high resolution surveying of underwater topography with a narrow, visible green laser beam, emitted from a pulsed laser source. Subject to clarity, at this particular wavelength the laser beam penetrates water enabling measurement of submerged targets.

The distance measurement is based on the time-of-flight measurement with very short laser pulses and subsequent echo digitization and online waveform processing. To handle target situations with most complex multiple echo signals, beside the online waveform processing the digitized echo waveforms can be stored on the removable data storage card for subsequent off-line full waveform analysis.

The laser beam is deflected in an elliptic scan pattern and hits the water surface at an incidence angle with low variation.

The VQ-840-GL can be complemented with an inertial navigation sensor for subsequent estimation of the instrument's location and orientation. As a further option a high-resolution digital camera can be integrated.

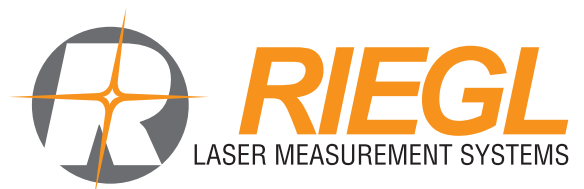
The rugged internal mechanical structure together with the dust- and splash water proof housing enables long-term operation on airborne platforms.

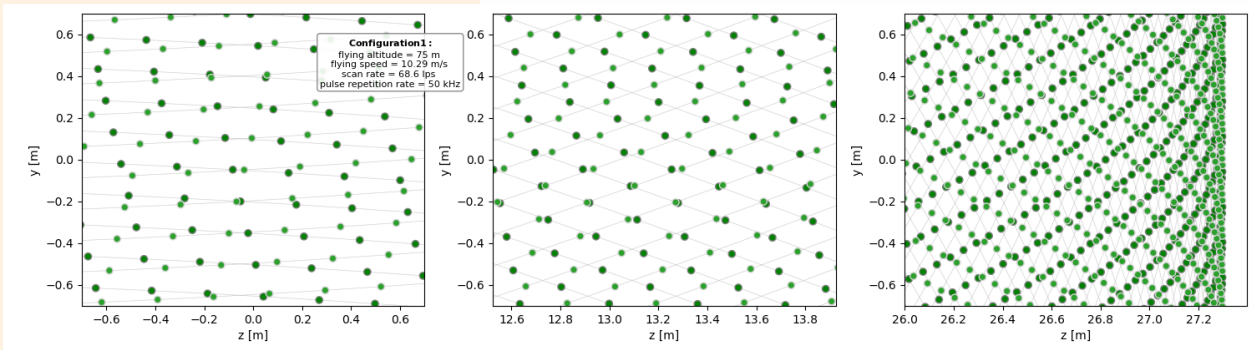
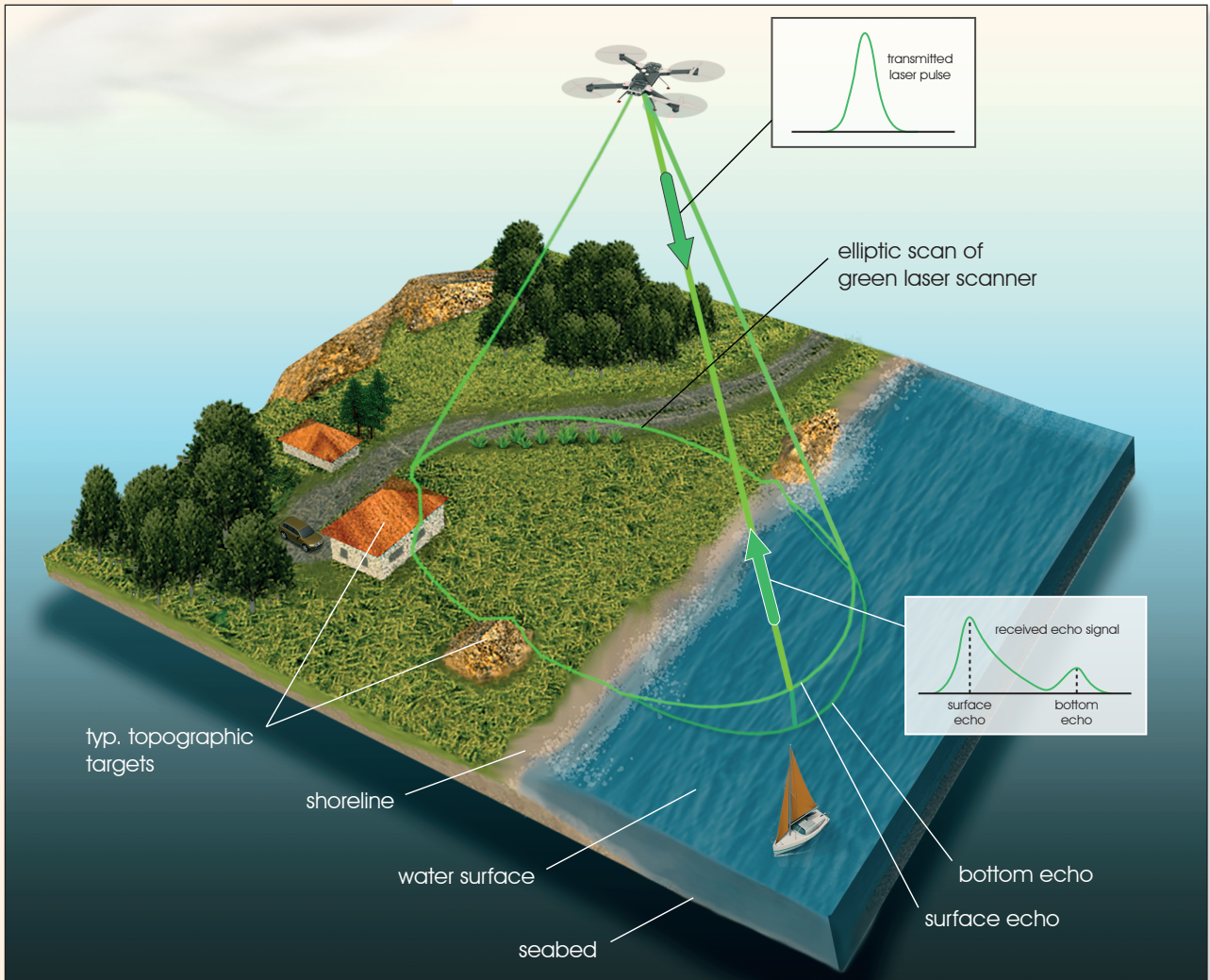


### Typical applications include

- **coastline and shallow water mapping**
- **surveying for hydraulic engineering**
- **hydro-archeological-surveying**
- **river surveying**
- **repeated survey of water reservoirs**

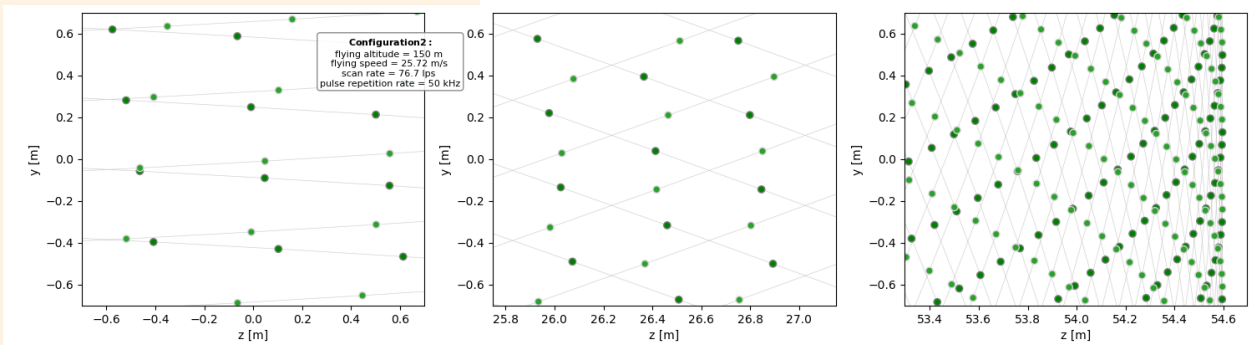
visit our website  
[www.riegl.com](http://www.riegl.com)





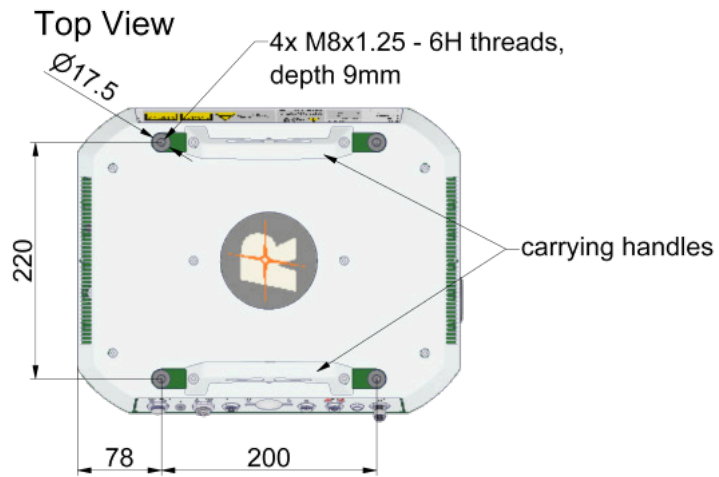
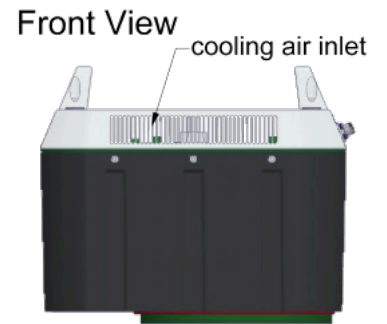
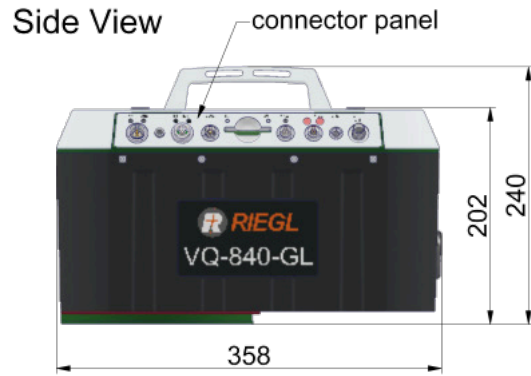
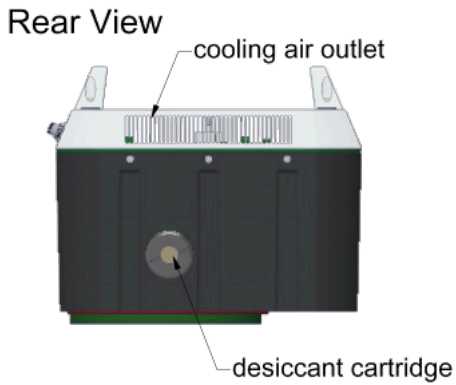
### Point pattern and density for UAV applications

flying altitude 75 m, flying speed 10 m/sec, scan rate 69 lps, pulse repetition rate 50 kHz, average point density: 92 points/sqm  
 grey lines: scan trace on ground, green dots: points on the ground (dark green: forward look, light green: backward look)



### Point pattern and density for helicopter applications

flying altitude 150 m, flying speed 26 m/sec, scan rate 77 lps, pulse repetition rate 50 kHz, average point density: 18 points/sqm  
 grey lines: scan trace on ground, green dots: points on the ground (dark green: forward look, light green: backward look)



dimensions in mm



## RIEGL VQ-840-GL Perspective View

connector panel



beam exit window

## RIEGL VQ-840-GL Installation Examples

Complemented by an optional IMU/GNSS system and an optional high-resolution digital camera, the *RIEGL VQ-840-GL* represents a fully integrated system with low weight for integration on various aircraft platforms including UAVs.



UAV integration example:  
*RIEGL VQ-840-GL* on a UAV-based platform



*RIEGL VQ-840-GL* (with external IMU) installed on GSM-4000 stabilized platform to be used in a helicopter or fixed-wing aircraft

## Export Classification

The Topo-Bathymetric Airborne Laser Scanner VQ-840-GL has been designed and developed for commercial topographic, hydrographic and bathymetric surveying applications.

## Laser Product Classification

Class 3B Laser Product according to IEC60825-1:2014  
The following clause applies for instruments delivered into the United States: Complies with 21 CFR 1040.10 and 1040.11 except for conformance with IEC 60825-1 Ed.3., as described in Laser Notice No. 56, dated May 8, 2019.

The VQ-840-GL is subject to export restrictions as set up by the Wassenaar Arrangement. It is classified as dual-use good according to position number 6A8j3 of the official Dual-Use-List to be found on site <http://www.wassenaar.org>. Within the European Union, (Regulation (EU) No. 2021/821) implements the export restrictions of the Wassenaar Arrangement. The corresponding position number is **6A008j3**.



15 m

NOHD <sup>1) 2) 3)</sup>

- 1) NOHD ... Nominal Ocular Hazard Distance  
2) beam divergence 6 mrad, laser PRR 50kHz

3) provided that the instrument is mounted on a moving platform

## Range Measurement Performance

Measuring Principle

echo signal digitization, online waveform processing, full waveform recording, time-of-flight measurement, multiple target capability

Measurement Rate <sup>4)</sup>	200 kHz	100 kHz	50 kHz	5 kHz <sup>7)</sup>	0.5 kHz <sup>7)</sup>
Max. Water Depth Penetration in Secchi Depths <sup>5) 6)</sup> (Flight altitude 75m above water level)	1.7	1.8	2.0	2.2	2.5

Minimum Range

20 m

Accuracy <sup>8) 10)</sup>

20 mm

Precision <sup>9) 10)</sup>

15 mm

Laser Pulse Repetition Rate

50 kHz to 200 kHz

Echo Signal Intensity

for each echo signal, high-resolution 16 bit intensity information is provided

Number of Targets per Pulse

online waveform processing: up to 15 <sup>11)</sup>

Laser Wavelength

532 nm, green

Laser Beam Divergence

selectable, 1 up to 6 mrad <sup>12)</sup>

Receiver Field of View

selectable, 3 up to 18 mrad

Laser Beam Footprint (Gaussian Beam Definition)

50 mm @ 50 m, 100 mm @ 100 m, 150 mm @ 150 m <sup>13)</sup>

## Scanner Performance

Scanning Mechanism

rotating scan mirror

Scan Pattern

nearly elliptic

Off Nadir Scan Angle Range

$\pm 20^\circ = 40^\circ$  perpendicular to flight direction,  $\pm 14^\circ = 28^\circ$  in flight direction

Scan Speed (selectable)

10 - 100 lines/sec (lps) <sup>14)</sup>

Angular Step Width  $\Delta \theta$  (selectable)

$0.018^\circ \leq \Delta \theta \leq 0.72^\circ$  (for PRR 50 kHz) <sup>15) 16)</sup>

between consecutive laser shots

Angle Measurement Resolution

0.001° (3.6 arcsec)

4) rounded values

5) The Secchi depth is defined as the depth at which a standard black and white disc deployed into the water is no longer visible to the human eye.

6) The depth performance is specified for bright targets with size in excess of the laser beam diameter and for clear atmospheric conditions.

7) Waveform averaging applied in postprocessing, Laser PRR=50kHz

8) Accuracy is the degree of conformity of a measured quantity to its actual (true) value.

9) Precision, also called reproducibility or repeatability, is the degree to which further measurements show the same result.

10) One sigma @ 150m rounded values

11) If the laser beam hits, in part, more than one target, the laser's pulse power is split accordingly. Thus, the achievable range is reduced.

12) Measured at the 1/e<sup>2</sup> points. 1.0 mrad corresponds to an increase of 100 mm of beam diameter per 100 m distance.

13) The laser beam footprint values correspond to a beam divergence of 1mrad.

14) One line corresponds to a full revolution (360°) of the scan mechanism which can be split into two user defined segments.

15) The angular step width depends on the selected laser PRR.

16) The maximum angular step width is limited by the maximum scan rate.

## General Technical Data

Power Supply Input Voltage

18 - 34 V DC

Power Consumption

typ. 110 W

max. 220 W

Main Dimensions (L x W x H)

358 mm x 292 mm x 202 mm

Weight

LiDAR sensor

approx. 9.8 kg

(without optionally integrated components)

additional system integration components

optionally integrated APX-20 with IMU90

approx. 0.23 kg

optionally integrated APX-20 with IMU82

approx. 0.50 kg

optionally integrated camera

approx. 0.50 kg

Humidity

non condensing

Protection Class

IP64, dust and splash-proof

Max. Flight Altitude <sup>17)</sup>

operating / not operating

18 500 ft (5 600 m) above Mean Sea Level (MSL)

Temperature Range

operation / storage

-10°C up to +40°C / -20°C up to +50°C

17) for standard atmospheric conditions: 1013 mbar, +15°C at sea level

# RIEGL VQ-840-GL Technical Data (Optional Components)

## IMU/GNSS (optional)

IMU Accuracy <sup>1)</sup>	
Roll, Pitch	0.015°
Heading	0.035°
IMU Sampling Rate	200 Hz
Position Accuracy (typ.)	
horizontal / vertical	<0.05 m / <0.1 m

## Integrated Digital Camera (optional) <sup>2)</sup>

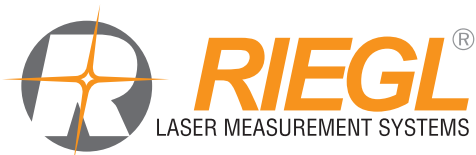
RGB Camera	
Sensor Resolution	12 MPixel / 24 MPixel
Sensor Dimensions (diagonal)	17.5 mm (4112 x 3008 px)
Focal Length of Camera Lens	16 mm
Field of View (FOV)	approx. 47° x 36°
Interface	GigE

## Data Interfaces

Configuration	LAN 10/100/1 000 Mbit/sec,
Scan Data Output	LAN 10/100/1 000 Mbit/sec,
	high speed data link to RIEGL DR1560ii (optional) <sup>4)</sup>
GNSS Interface <sup>3)</sup>	Serial RS-232 interface for data string with GNSS-time information, TTL input for 1 PPS synchronization pulse
General IO & Control	1x TTL input/output, 1x Serial RS-232 Interface, 1x Remote on/off
Camera Interface	1x GNSS RS-232 Tx & PPS, Power, Trigger, Exposure
Removable Storage Card	CFast®, up to 1 TByte (optional) <sup>4)</sup>
Internal Data Storage	2 TB SSD

1) accuracy specifications for post-processed data  
2) Please note: adding optional features will enhance the overall weight of the system

3) to be used for external GNSS receiver  
4) only one single option (CFast or data recorder interface) can be implemented



RIEGL Laser Measurement Systems GmbH, Headquarters  
RIEGL USA Inc., Headquarters North America

RIEGL Japan Ltd.  
RIEGL China Ltd.  
RIEGL Australia Pty Ltd.  
RIEGL Canada Inc.

RIEGL UK Ltd.  
RIEGL South America Spa  
RIEGL Deutschland Vertriebsgesellschaft mbH

Contact us

