



Rof-PLS pulse light source

Description

Rof-PLS series pulse light source uses a unique short pulse drive circuit to achieve the narrowest pulse output up to 6ns, while using a highly stable laser and a unique APC (automatic power control) and ATC (automatic temperature control) circuit, so that the output power and wavelength have high stability, and can monitor the temperature, power and other information of the light source in real time. This series of pulse light source is mainly used for MOPA structure fiber laser seed source, spectral analysis, fiber sensing, passive device testing.

Features

- Pulse width up to 6ns
- Working wavelength :780,850,1310,1550 or user specified
- Pulse width is adjustable
- The pulse repetition rate is adjustable
- Internal and external trigger optional
- Desktop, module optional
- Can be customized according to customer requirements

Applications

- Laser ranging
- Seed light source
- Optical fiber sensing
- Passive device testing

Parameter

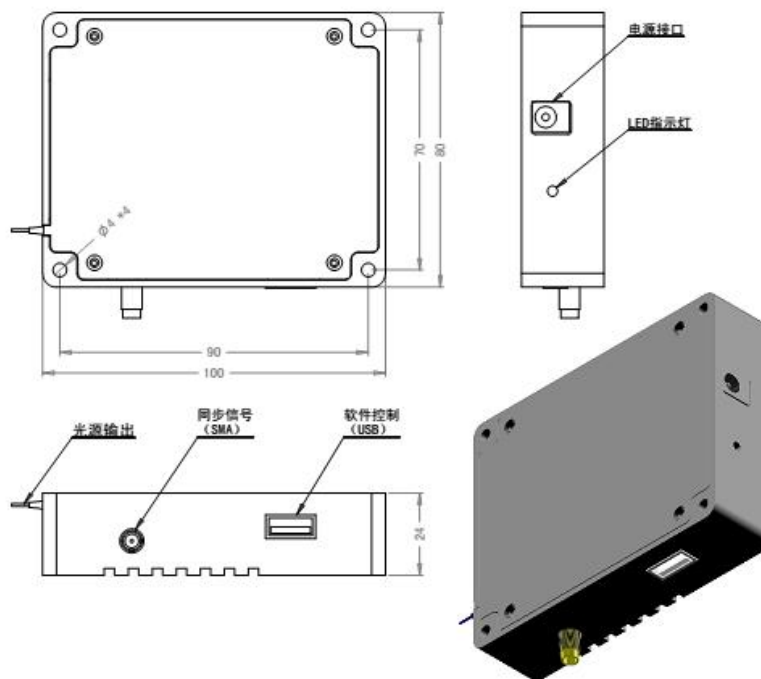
Optical parameter				
Argument	Min	Typ	Max	Unit
Rof-PLS				
Central wavelength	780,850,1310,1550 Or user specified			nm
Peak value power	10		40	mW
Pulse width	6		510	ns
Internal trigger frequency	1		1000	KHz
External trigger frequency	1		1000	KHz
Wavelength stability	<0.01			nm
Pulse width adjustment accuracy	1			ns
Pulse width adjustment step length	1			ns
Refrequency adjust step size	100			Hz
Optical fiber interface	FC/PC、FC/APC Or user specified			
Fiber type	PMF bias preserving or SMF single mode, multi-mode			

Electrical and mechanical parameters		
Parameter index	Mode	Desk
Supply voltage	+ 5 V	AC 220V@50Hz
Trigger mode	Internal and external trigger optional	
Communication interface	RS232	
Apparent dimension	200x120x30	320x220x90

Limiting condition

Argument	symbol	Unit	Min	Typ	Max
Operating temperature	Top	°C	0		50
Storage temperature	Tst	°C	-40		85
humidness	RH	%	5		90

Package size



(Unit: mm)

Ordering information



Rof	PLS	XX	X	XX	XX
	pulse light source	Working wavelength : 08---850nm 09---905nm 10---1064nm 13---1310nm 15---1550nm	Package form: D-- desktop M-- Module	Narrowest pulse width 06---6ns	Optical fiber connector: FP---FC/PC FA---FC/APC SP-- Specifies a user

*If you have special requirements, please contact our sales staff